



Grandstream Networks, Inc.

LinkCom IP Door System & Grandstream IP Multimedia Phones Configuration Guide



TABLE OF CONTENTS
LINKCOM IP DOOR SYSTEM & GRANDSTREAM IP MULTIMEDIA PHONES
CONFIGURATION GUIDE

Contents

Introduction.....	3
Tutorial Environment	3
Peer LinkCom IP Door System with a GXV3140 or GXV3175v1/v2 (Single Peer).....	4
Peer LinkCom IP Door System with Multiple Grandstream GXV3140 and/or GXV3175v1/v2 (Multi-Peers)	8
LinkCom IP Door System with Multiple Grandstream GXV3140 and/or GXV3175v1/v2 using a SIP server	10

INTRODUCTION

The purpose of this document is to provide basic configuration guidance for LinkCom IP Door System & Grandstream IP Multimedia Phones GXV3140, GXV3175 and GXV3175v2.

This guide is applicable to the following Grandstream IP Multimedia Phones (GXV3140 with firmware 1.0.7.76 or high, GXV3175 with firmware 1.0.3.74 or higher and GXV3175v2 with firmware 1.0.1.46 or higher)

Be aware that different firmware revisions may have different web interface formats and functionality.

This guide is describing 3 basic scenarios:

- 1- Peer LinkCom IP Door System with a GXV3140, a GXV3175 or a GXV3175v2 (Single Peer)
- 2- Peer LinkCom IP Door System with Multiple Grandstream GXV3140 and/or GXV3175v1/v2 (Multi-Peers)
- 3- LinkCom IP Door System with Multiple Grandstream GXV3140 and/or GXV3175v1/v2 using a SIP server

TUTORIAL ENVIRONMENT

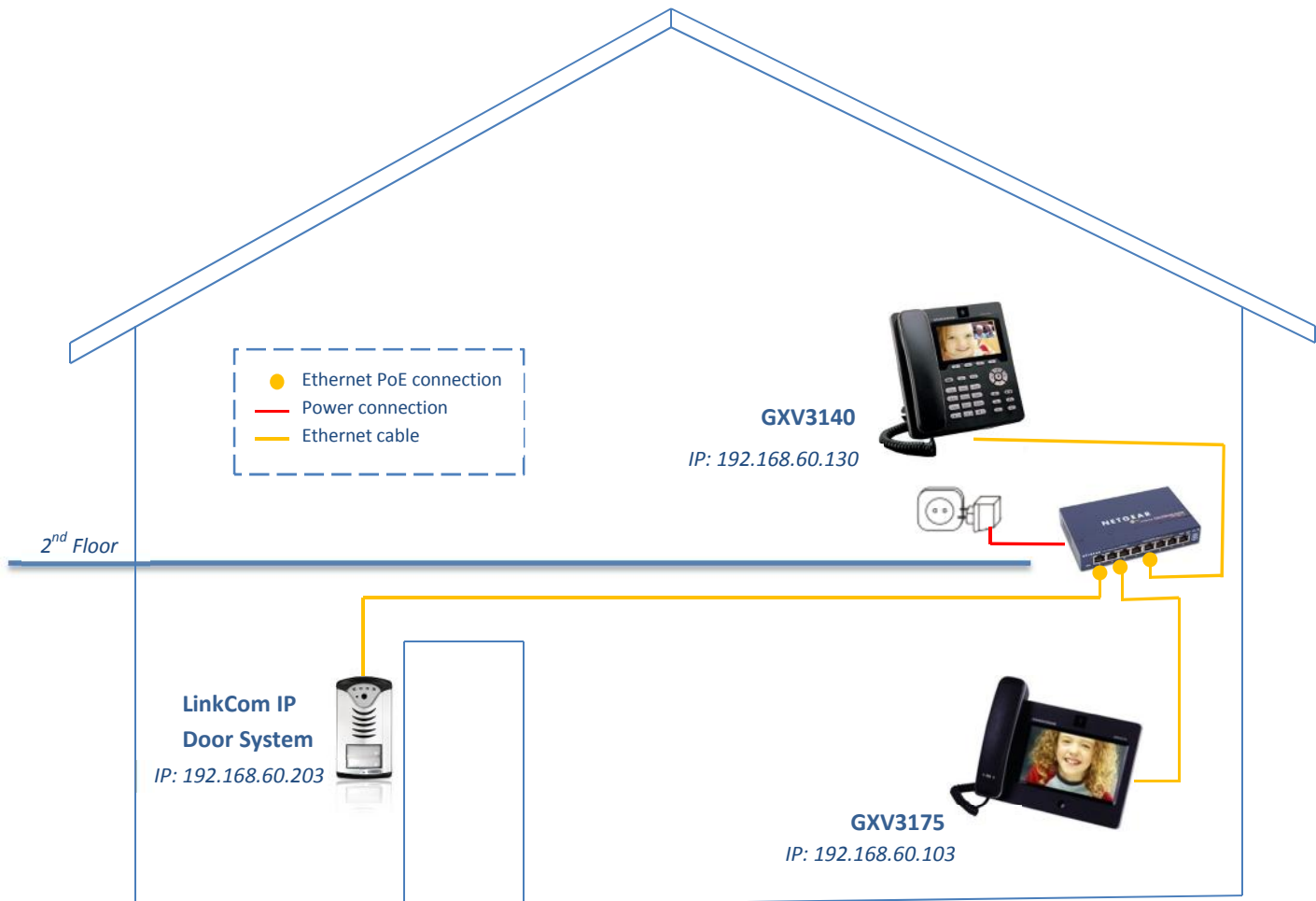
For this tutorial, we will be using Grandstream IP Multimedia Phone GXV3175v2 with firmware 1.0.1.46 and Grandstream IP Multimedia Phone GXV3140 with firmware 1.0.7.76.

- ✓ GXV3175v2 IP is 192.168.60.103
- ✓ GXV3140 IP is 192.168.60.130
- ✓ LinkCom IP is 192.168.60.203

Note: *Make sure that devices are set to use Static IPs; otherwise, the communication cannot be established if one of them changes its IP from original one. (This apply to First and Second scenario only)*


1st Scenario:

PEER LINKCOM IP DOOR SYSTEM WITH A GXV3140 OR GXV3175V1/V2 (SINGLE PEER)



STEP 1: LINKCOM IP DOOR SYSTEM CONFIGURATION

- 1- Access the web interface of your LinkCom
- 2- Go to **Memory Numbers**
- 3- Specify the IP to call on when pressing **button 1**
IP format is **a*b*c*d**
In our example: 192*168*60*103
- 4- Press **Save Changes** to apply settings
- 5- Press **Save** to apply settings

 Be Connected Day mode	<h3>Memory numbers:</h3> <table border="1"> <thead> <tr> <th></th> <th>Group DAY</th> <th>Group NIGHT</th> </tr> </thead> <tbody> <tr> <td>Button 1:</td> <td><input type="text" value="192*168*60*103"/></td> <td><input type="text"/></td> </tr> <tr> <td>Button 2:</td> <td><input type="text"/></td> <td><input type="text"/></td> </tr> <tr> <td>Button 3:</td> <td><input type="text"/></td> <td><input type="text"/></td> </tr> <tr> <td>Button 4:</td> <td><input type="text"/></td> <td><input type="text"/></td> </tr> <tr> <td>Button 5:</td> <td><input type="text"/></td> <td><input type="text"/></td> </tr> <tr> <td>Button 6:</td> <td><input type="text"/></td> <td><input type="text"/></td> </tr> <tr> <td>Button 7:</td> <td><input type="text"/></td> <td><input type="text"/></td> </tr> <tr> <td>Button 8:</td> <td><input type="text"/></td> <td><input type="text"/></td> </tr> <tr> <td>Button 9:</td> <td><input type="text"/></td> <td><input type="text"/></td> </tr> <tr> <td>Button 10:</td> <td><input type="text"/></td> <td><input type="text"/></td> </tr> <tr> <td>Button 11:</td> <td><input type="text"/></td> <td><input type="text"/></td> </tr> <tr> <td>Button 12:</td> <td><input type="text"/></td> <td><input type="text"/></td> </tr> <tr> <td>Button 13:</td> <td><input type="text"/></td> <td><input type="text"/></td> </tr> <tr> <td>Button 14:</td> <td><input type="text"/></td> <td><input type="text"/></td> </tr> </tbody> </table>			Group DAY	Group NIGHT	Button 1:	<input type="text" value="192*168*60*103"/>	<input type="text"/>	Button 2:	<input type="text"/>	<input type="text"/>	Button 3:	<input type="text"/>	<input type="text"/>	Button 4:	<input type="text"/>	<input type="text"/>	Button 5:	<input type="text"/>	<input type="text"/>	Button 6:	<input type="text"/>	<input type="text"/>	Button 7:	<input type="text"/>	<input type="text"/>	Button 8:	<input type="text"/>	<input type="text"/>	Button 9:	<input type="text"/>	<input type="text"/>	Button 10:	<input type="text"/>	<input type="text"/>	Button 11:	<input type="text"/>	<input type="text"/>	Button 12:	<input type="text"/>	<input type="text"/>	Button 13:	<input type="text"/>	<input type="text"/>	Button 14:	<input type="text"/>	<input type="text"/>
	Group DAY	Group NIGHT																																													
Button 1:	<input type="text" value="192*168*60*103"/>	<input type="text"/>																																													
Button 2:	<input type="text"/>	<input type="text"/>																																													
Button 3:	<input type="text"/>	<input type="text"/>																																													
Button 4:	<input type="text"/>	<input type="text"/>																																													
Button 5:	<input type="text"/>	<input type="text"/>																																													
Button 6:	<input type="text"/>	<input type="text"/>																																													
Button 7:	<input type="text"/>	<input type="text"/>																																													
Button 8:	<input type="text"/>	<input type="text"/>																																													
Button 9:	<input type="text"/>	<input type="text"/>																																													
Button 10:	<input type="text"/>	<input type="text"/>																																													
Button 11:	<input type="text"/>	<input type="text"/>																																													
Button 12:	<input type="text"/>	<input type="text"/>																																													
Button 13:	<input type="text"/>	<input type="text"/>																																													
Button 14:	<input type="text"/>	<input type="text"/>																																													
<p>Menu:</p> <ul style="list-style-type: none"> • Network setting • Basic parameters • SIP parameters • Setting audio • Setting video • Relays • Time parameters • Memory numbers • User interface • Service • Video • Help <p>Language:</p> <p>english <input type="button" value="Set"/></p>																																															

STEP 2: GRANDSTREAM GXV3140 OR GXV3175V1/V2 CONFIGURATION

1. Access to the web interface of your IP Multimedia Phone by entering the IP of the IP Multimedia Phone on your browser.
http://<IP_Multimedia_Phone_IP> (Default; username: admin, password: admin)
(i.e. <http://192.168.60.103>)

2. Go to **Advanced Settings > General Settings** and uncheck **Use Random Port** (Default is Yes).

Use Random Port : Yes

3. Click **Save** on the bottom of the page and then apply your settings by clicking **Apply** on the top of the page.
4. Go to **Account 1** and enter the following :
 - a. **Account Active** : Yes (by enabling the check box)
 - b. **Account Name** : Any name (for example : Door Phone1)
 - c. **SIP Server** : Enter the IP of LiknCom IP Door (in our example : 192.168.60.203)
 - d. **SIP User ID** : Any extension number (for example : 100)
 - e. **Authenticate ID** : Same as SIP User ID (for example : 100)
 - f. **Authenticate Password** : Any password, can be same as SIP User ID (for example : 100)
 - g. **Name** : Any name (for example : Door Phone1)

General Settings

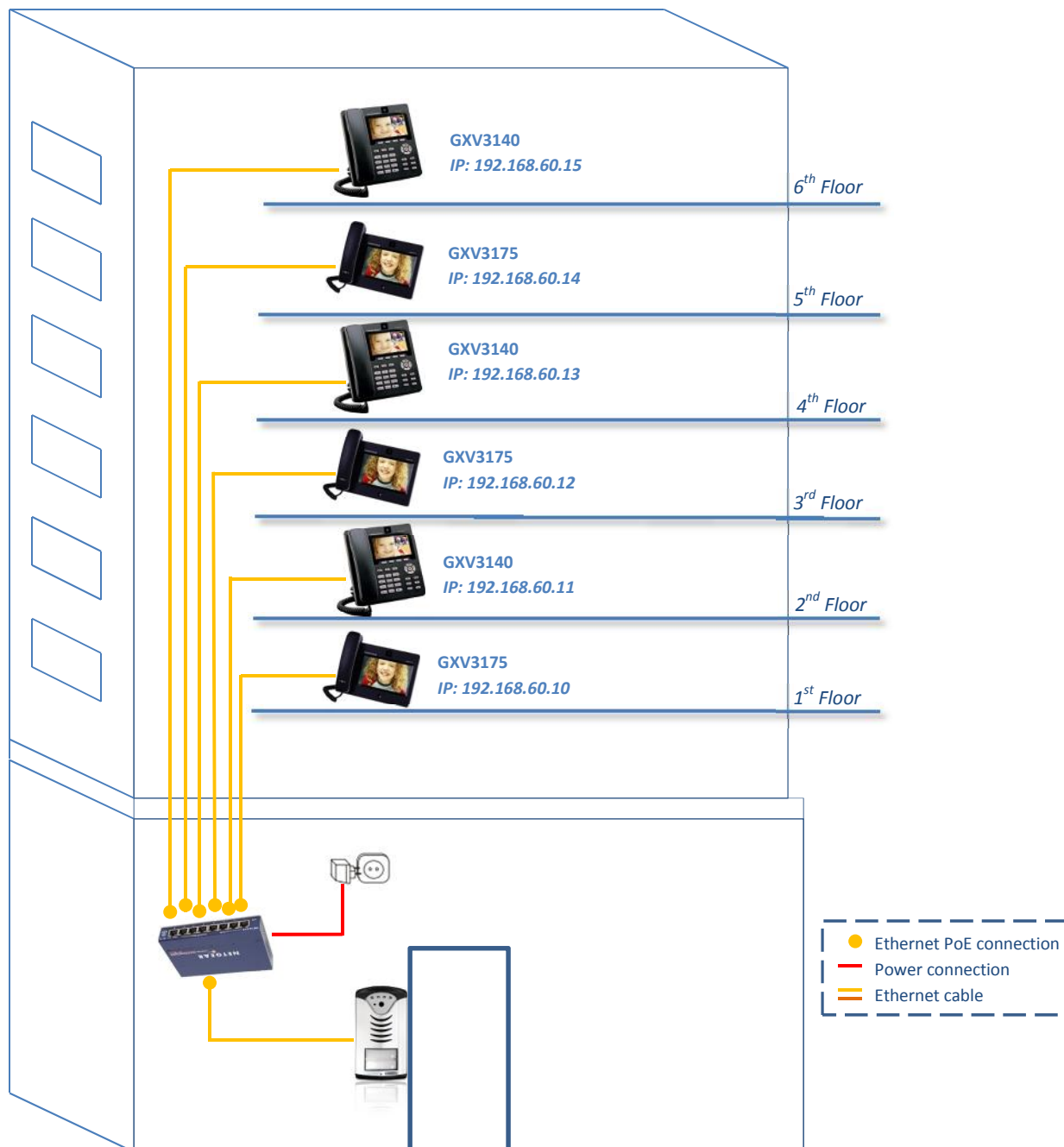
Account Active :	<input checked="" type="checkbox"/> Yes
Account Name :	<input type="text" value="DoorPhone1"/>
SIP Server :	<input type="text" value="192.168.60.203"/>
SIP User ID :	<input type="text" value="100"/>
Authenticate ID :	<input type="text" value="100"/>
Authenticate Password :	<input type="password" value="..."/>
Voice Mail UserID :	<input type="text" value="*26"/>
Name :	<input type="text" value="DoorPhone1"/>
Tel URI :	<input type="text" value="Disable"/>

5. Repeat Step 3 to save and apply your settings.
6. Go to **Account 1 > SIP Settings** and set the following :
 - a. **SIP Registration** : No (Disable the check box)
 - b. **Unregister On Reboot** : Yes (Default is Yes)
 - c. **Local SIP port** : 5060 (Default is 5060)
7. Go to **Account 1 > Network Settings**, set **NAT Traversal** to **NAT NO** and click **Save**.

NAT Traversal :	<input type="text" value="NAT NO"/>
-----------------	-------------------------------------

2nd Scenario:

PEER LINKCom IP Door System WITH MULTIPLE GRANDSTREAM GXV3140 AND/OR GXV3175V1/V2 (MULTI-PEERS)



Please note that this scenario depends on how many Buttons you have in your LinkCom Door System

STEP 1: LINKCOM DOOR SYTEM CONFIGURATION

Please refer to “*Step 1: LinkCom Door System Configuration*” described in **First scenario**, the steps are the same, except for 3rd step.

The **Button numbers** need to be adjusted to match the actual scenario. You can refer to the next table for an example of configuration.

Phone	Button number	Position enabled	Position Name	Phone Numbers (Number 1)
Floor1	1	Yes	Floor1	192*168*60*10
Floor2	2	Yes	Floor2	192*168*60*11
Floor3	3	Yes	Floor3	192*168*60*12
Floor4	4	Yes	Floor4	192*168*60*13
Floor5	5	Yes	Floor5	192*168*60*14
Floor6	6	Yes	Floor6	192*168*60*15

STEP 2: GRANDSTREAM GXV3140/GXV3175V1/V2 CONFIGURATION

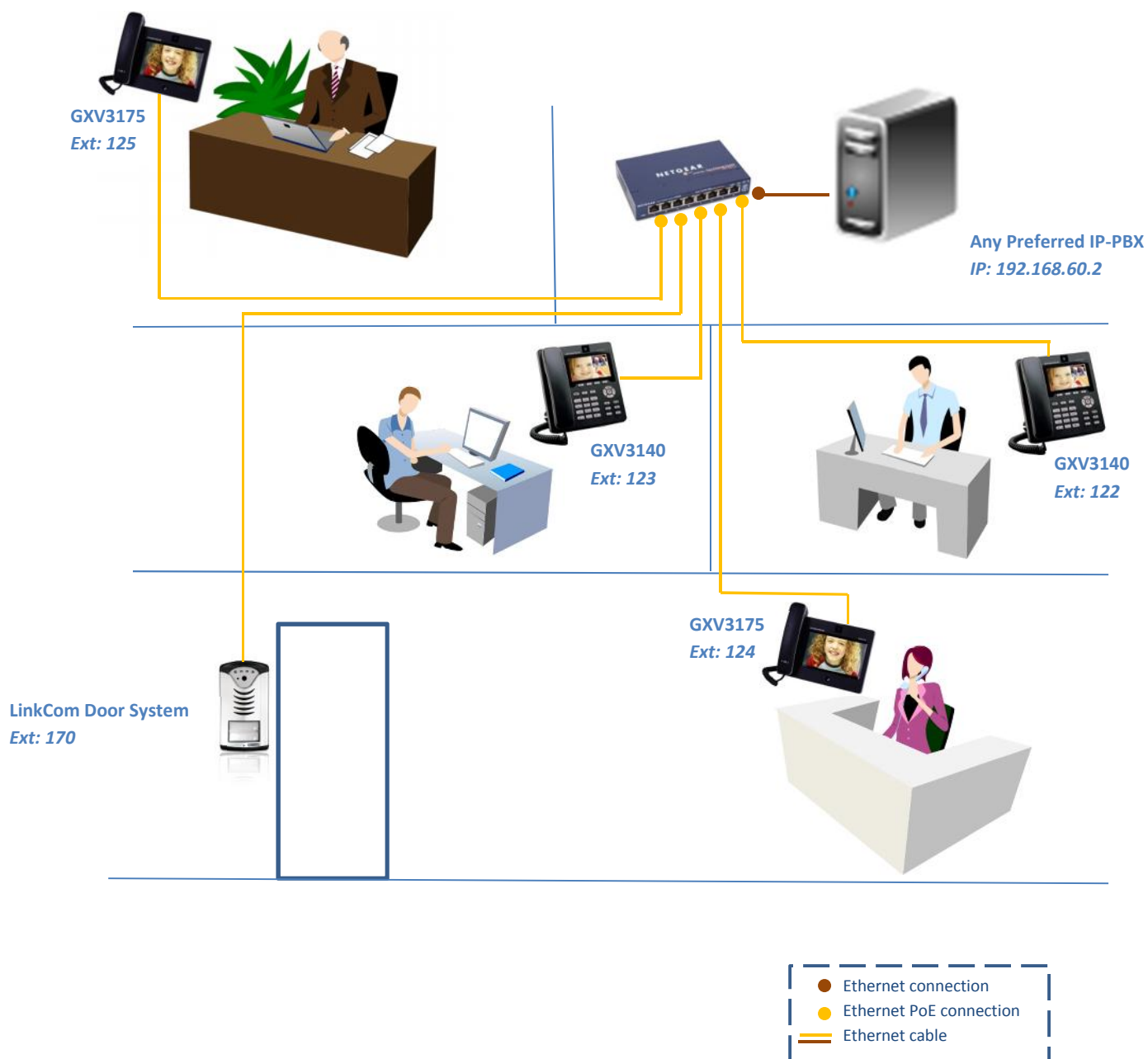
Please refer to “*Step 2: GXV3140/GXV3175 Configuration*” described in **First scenario**, the steps are the same and should be done on each phone.

The **Account Name / SIP User ID / Authenticate ID / Authenticate Password / Name** need to be different on each phone. You can refer to the next table for an example of configuration.

Phone/IP	Account Active	Account Name	SIP Server	SIP User ID	Auth. ID	Authenticate Password	Name
Phone1 192.168.60.10	Yes	Floor1	192.168.60.203	100	100	100	Floor1
Phone2 192.168.60.11	Yes	Floor2	192.168.60.203	101	101	101	Floor2
Phone3 192.168.60.12	Yes	Floor3	192.168.60.203	102	102	102	Floor3
Phone4 192.168.60.13	Yes	Floor4	192.168.60.203	103	103	103	Floor4
Phone5 192.168.60.14	Yes	Floor5	192.168.60.203	104	104	104	Floor5
Phone6 192.168.60.15	Yes	Floor6	192.168.60.203	105	105	105	Floor6

3rd Scenario:


LINKCOM IP DOOR SYSTEM WITH MULTIPLE GRANDSTREAM GXV3140 AND/OR GXV3175V1/V2 USING A SIP SERVER



STEP 1: LINKCOM DOOR SYSTEM CONFIGURATION

- 1- Access the web interface of your Helios
- 2- Go to **SIP parameters**
- 3- Enter the SIP account parameters and SIP server IP as shown below

In our example: SIP server IP is 192.168.60.2
Account Name/Password/Auth. ID are 170/170/170



Day mode

Menu:

- Network setting
- Basic parameters
- SIP parameters
- Setting audio
- Setting video
- Relays
- Time parameters
- Memory numbers
- User interface
- Service
- Video
- Help

Language:

english

SIP parameters:

SIP proxy server	Address:	<input type="text" value="192.168.60.2"/>
	Port:	<input type="text" value="5060"/>
SIP registrar server	Address:	<input type="text" value="192.168.60.2"/>
	Port:	<input type="text" value="5060"/>
Outbound proxy	Address:	<input type="text"/>
	Port:	<input type="text" value="5060"/>
Account module	Name:	<input type="text" value="170"/>
	Password:	<input type="text" value="170"/>
	Auth. Id:	<input type="text" value="170"/>
	Expiration [sec]:	<input type="text" value="600"/>

Registration successful

Use (180 Ringing):

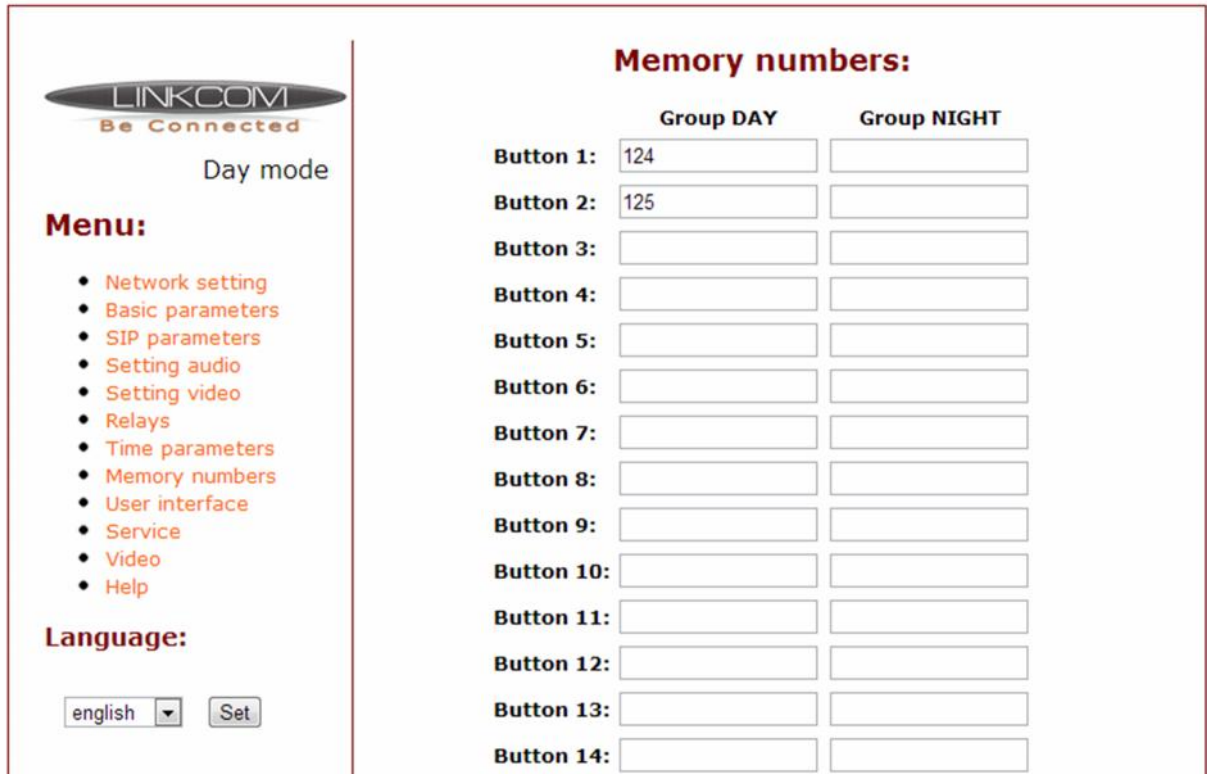
Use (183 Session progress):

Enable Simmetric RTP:

- 4- Press **Save changes** to apply and start registration process.

5- Go to **Memory numbers** and enter the extension to be called on needed Buttons

In our example, we will be using extensions 124/125



Memory numbers:		
	Group DAY	Group NIGHT
Button 1:	124	
Button 2:	125	
Button 3:		
Button 4:		
Button 5:		
Button 6:		
Button 7:		
Button 8:		
Button 9:		
Button 10:		
Button 11:		
Button 12:		
Button 13:		
Button 14:		

6- Press **Save changes** to apply.

STEP 2: GRANDSTREAM GXV3140 OR GXV3175 CONFIGURATION

1. Access to the web interface of your IP Multimedia Phone by entering the IP of the IP Multimedia Phone on your browser.
http://<IP_Multimedia_Phone_IP> (Default; username: admin, password: admin)
 (i.e. <http://192.168.60.103>)
2. Go to **Account 1** and enter the following :
 - a. **Account Active** : Yes (by enabling the check box)
 - b. **Account Name** : Any name (for example : Door Phone1)
 - c. **SIP Server** : Enter the IP of the SIP Server (in our example : 192.168.60.2)
 - d. **SIP User ID** : Enter SIP User ID as configured in SIP Server (for example : 124)
 - e. **Authenticate ID** : Enter Auth. ID as configured in SIP Server (for example : 124)

- f. **Authenticate Password** : Enter Auth. Password as configured in SIP Server (for example : Grandstream)
- g. **Name** : Any name (for example : Door Phone1)

General Settings

Account Active :	<input checked="" type="checkbox"/> Yes
Account Name :	<input type="text" value="DoorPhone1"/>
SIP Server :	<input type="text" value="192.168.60.2"/>
SIP User ID :	<input type="text" value="124"/>
Authenticate ID :	<input type="text" value="124"/>
Authenticate Password :	<input type="password" value="..."/>
Voice Mail UserID :	<input type="text" value="*26"/>
Name :	<input type="text" value="DoorPhone1"/>
Tel URI :	<input type="text" value="Disable"/> ▼

3. Repeat **Save** and **Apply** to save and apply your settings.
4. Go to **Account 1 > SIP Settings** and set the following :
 - a. **SIP Registration** : Yes (Enable the check box)
 - b. **Unregister On Reboot** : Yes (Default is Yes)
 - c. **Local SIP port** : 5060 (Default is 5060)
5. Go to **Account 1 > Network Settings**, set **NAT Traversal** to **NAT NO** and click **Save**.

NAT Traversal : ▼